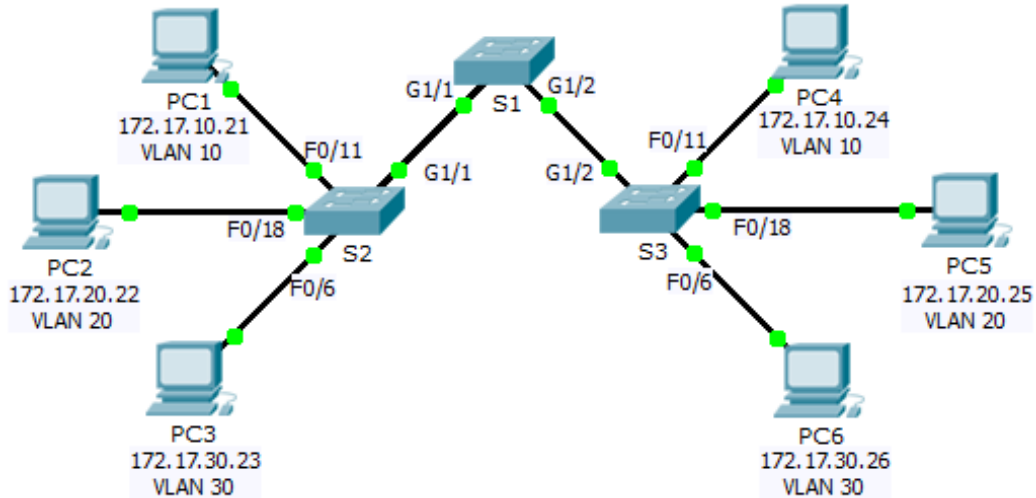


Packet Tracer – Configuring Trunks

Topology



Addressing Table

Device	Interface	IP Address	Subnet Mask	Switch Port	VLAN
PC1	NIC	172.17.10.21	255.255.255.0	S1 F0/11	10
PC2	NIC	172.17.20.22	255.255.255.0	S1 F0/18	20
PC3	NIC	172.17.30.23	255.255.255.0	S1 F0/6	30
PC4	NIC	172.17.10.24	255.255.255.0	S2 F0/11	10
PC5	NIC	172.17.20.25	255.255.255.0	S2 F0/18	20
PC6	NIC	172.17.30.26	255.255.255.0	S2 F0/6	30

Objectives

Part 1: Verify VLANs

Part 2: Configure Trunks

Background

Trunks are required to pass VLAN information between switches. A port on a switch is either an access port or a trunk port. Access ports carry traffic from a specific VLAN assigned to the port. A trunk port by default is a member of all VLANs; therefore, it carries traffic for all VLANs. This activity focuses on creating trunk ports, and assigning them to a native VLAN other than the default.

Part 1: Verify VLANs

Step 1: Display the current VLANs.

- On **S1**, issue the command that will display all VLANs configured. There should be 9 VLANs in total. Notice how all 26 ports on the switch are assigned to one port or another.
- On **S2** and **S3**, display and verify all the VLANs are configured and assigned to the correct switchports according to the **Addressing Table**.

Step 2: Verify loss of connectivity between PCs on the same network.

Although **PC1** and **PC4** are on the same network, they cannot ping one another. This is because the ports connecting the switches are assigned to VLAN 1 by default. In order to provide connectivity between the PCs on the same network and VLAN, trunks must be configured.

Part 2: Configure Trunks

Step 1: Configure trunking on S1 and use VLAN 99 as the native VLAN.

- Configure G1/1 and G1/2 interfaces on S1 for trunking.
- Configure VLAN 99 as the native VLAN for G1/1 and G1/2 interfaces on **S1**.

The trunk port takes about a minute to become active due to Spanning Tree which you will learn in the proceeding chapters. Click **Fast Forward Time** to speed the process. After the ports become active, you will periodically receive the following syslog messages:

```
%CDP-4-NATIVE_VLAN_MISMATCH: Native VLAN mismatch discovered on GigabitEthernet1/2 (99), with S3 GigabitEthernet1/2 (1).
```

```
%CDP-4-NATIVE_VLAN_MISMATCH: Native VLAN mismatch discovered on GigabitEthernet1/1 (99), with S2 GigabitEthernet1/1 (1).
```

You configured VLAN 99 as the native VLAN on S1. However, the S2 and S3 are using VLAN 1 as the default native VLAN as indicated by the syslog message.

Although you have a native VLAN mismatch, pings between PCs on the same VLAN are now successful. Why?

Step 2: Verify trunking is enabled on S2 and S3.

On **S2** and **S3**, issue the **show interface trunk** command to confirm that DTP has successfully negotiated trunking with S1 on S2 and S3. The output also displays information about the trunk interfaces on S2 and S3.

Which active VLANs are allowed to cross the trunk?

Step 3: Correct the native VLAN mismatch on S2 and S3.

- Configure VLAN 99 as the native VLAN for the appropriate interfaces on S2 and S3.
- Issue **show interface trunk** command to verify the correct native VLAN configuration.

Step 4: Verify configurations on S2 and S3.

- Issue the **show interface *interface* switchport** command to verify that the native VLAN is now 99.

- b. Use the **show vlan** command to display information regarding configured VLANs. Why is port G1/1 on S2 no longer assigned to VLAN 1?

Suggested Scoring Rubric

Packet Tracer scores 80 points. The three questions in Step 1, 2 and 4 are worth 20 points.